

FREY



6000 SERIES HEAVY DUTY LOADERS

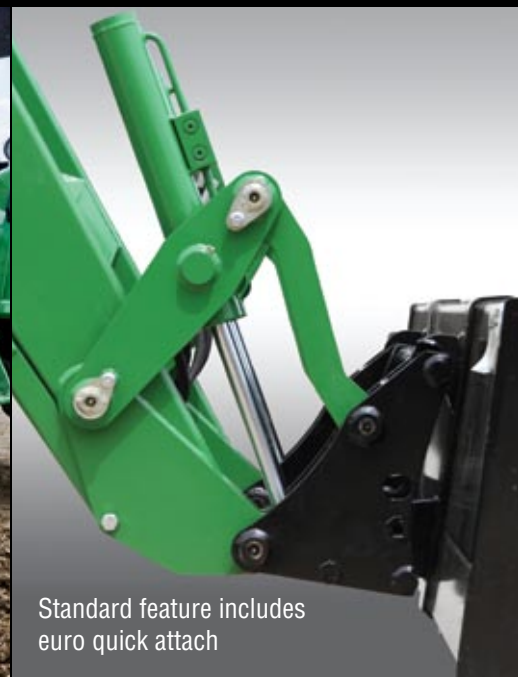
HYDRAULIC SELF LEVELING

HYDRAULIC SELF LEVELING



The industrial proven hydraulic self-levelling system is amazingly accurate and out performs mechanical self-levelling that can often cause blind spots for the operator. Self-levelling works in lift and lowering and is not affected by oil or operating temperature, and the operator can override it easily from the stick controls on the fly as needed.

INDUSTRIAL LINKAGE



Standard feature includes euro quick attach

The 6000 series are designed for the most demanding user, providing optimal operator comfort and efficiency. The dump and rollback linkage is also industrial styled to harness the most powerful part of the cylinder's stroke for scooping or rolling back heavy loads. The trunnion mounted cylinders deliver impressive earth tearing break out force.



OEM LOADER MOUNT - READY

A LOADER THAT FITS YOUR TRUE COLOURS

Pairing the 6000 series loader with your choice of tractor is easier than ever before. The loaders are designed to take advantage of many loader ready tractors.

In fact the 6000 series loaders will fit on all major tractor manufacturer's loader mounting frames.

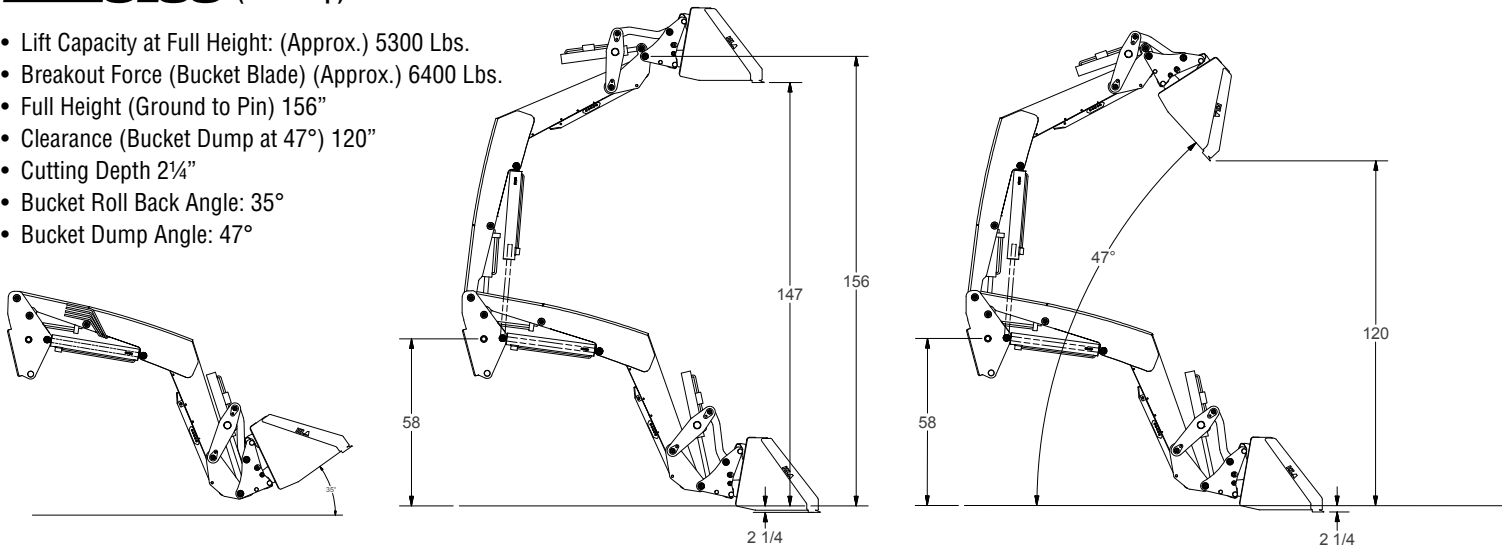


SPECIFICATIONS



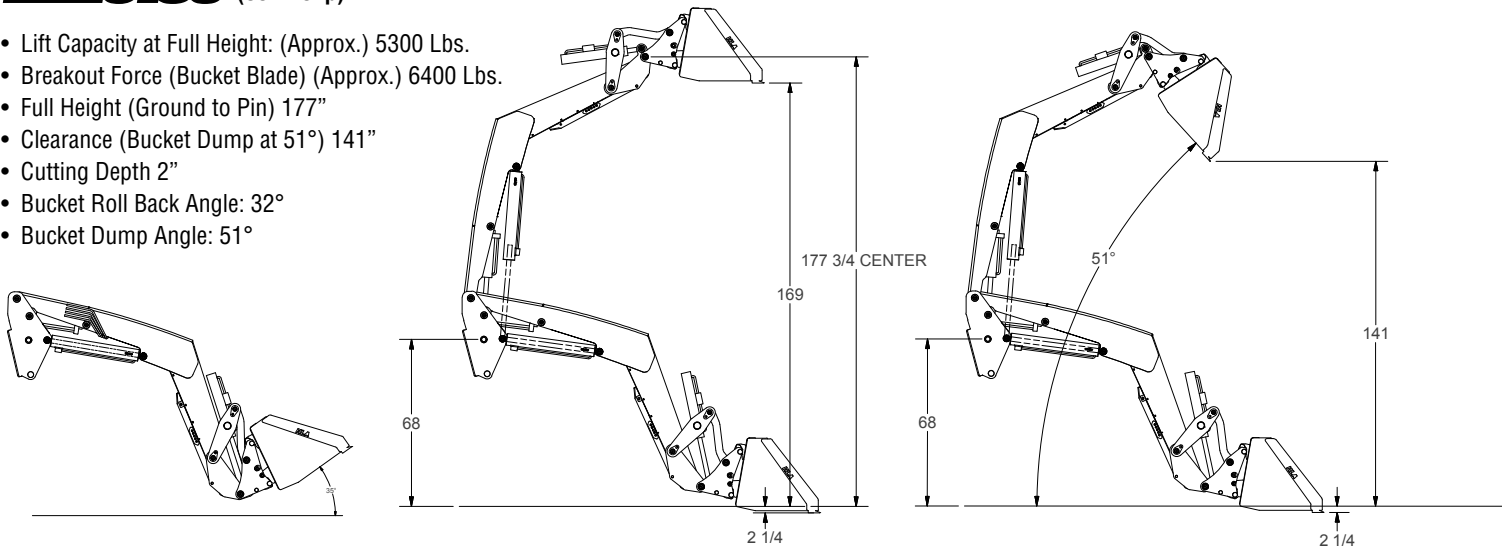
ML6100 (80-110hp)

- Lift Capacity at Full Height: (Approx.) 5300 Lbs.
- Breakout Force (Bucket Blade) (Approx.) 6400 Lbs.
- Full Height (Ground to Pin) 156"
- Clearance (Bucket Dump at 47°) 120"
- Cutting Depth 2 1/4"
- Bucket Roll Back Angle: 35°
- Bucket Dump Angle: 47°



ML6130 (90-140hp)

- Lift Capacity at Full Height: (Approx.) 5300 Lbs.
- Breakout Force (Bucket Blade) (Approx.) 6400 Lbs.
- Full Height (Ground to Pin) 177"
- Clearance (Bucket Dump at 51°) 141"
- Cutting Depth 2"
- Bucket Roll Back Angle: 32°
- Bucket Dump Angle: 51°



The 6000 series loaders from Frey have been inspired by the rough and rugged industrial world and adapted for everyday use on your farm. The low profile styling gives amazing operator visibility.



Authorized Dealer

Proof 2a
(Not For Production)

EEC110923-S01-01
PRINTED IN CANADA

Tubeline Manufacturing Inc.

3928 Steffler Road RR #4 Elmira, ON N3B 2Z3

Tel. (519) 664-0488 | Toll Free: (888) 856-6613

Fax: (519) 664-0492 | sales@tubeline.ca



www.freyloaders.com